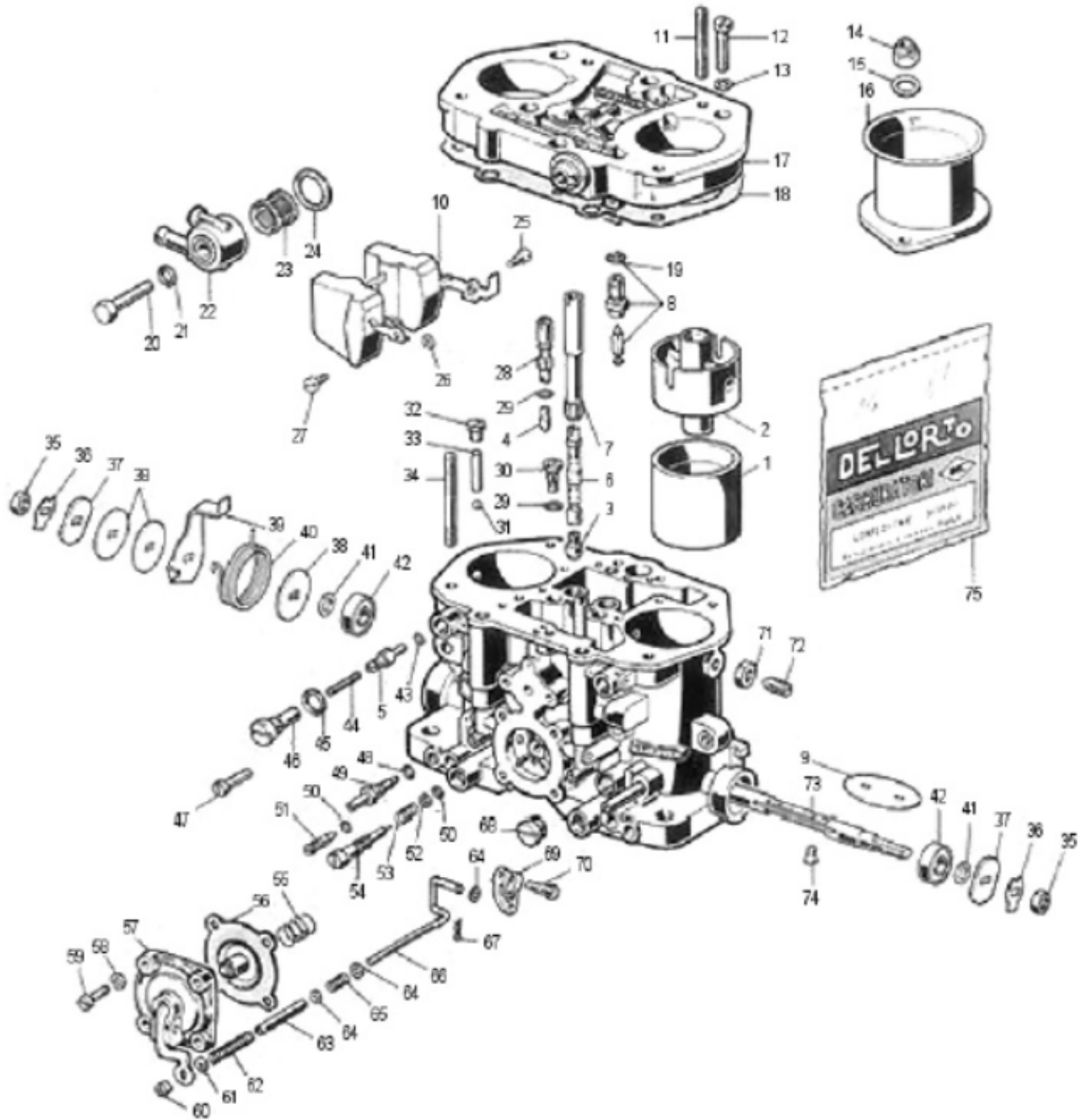


DELLORTO 36 DRLA - exploded view



DELLORTO 36 DRLA - Parts list

No Part No Price Pcs Description	No Part No Price Pcs Description
1 10074.28.65 Venturi	39 11066-26 Idle throttle adj. lever
2 10078.1.68 Auxiliary venturi	40 10158-61 Throttle spindle return spring
3 7484.140.02 Main jet	41 7537-23 Washer
4 7644.60.02 Idle jet	42 7490-45 Ball bearing
5 10927.55.02 Pump jet	43 - Pump jet gasket
6 9164.2.28 Main emulsion tube	44 10748-29 Fuel filter
7 10304.150.01 Main air corrector	45 - Pump jet plug gasket
8 10305.225.33 Needle valve	46 10928-34 Pump jet plug
9 10133.2.64 \$ 0 2 Throttle valve	47 9754-37 Idle throttle adj. screw
10 10090.1.80 Float g. 10	48 - Pressure intake union gasket
11 11148-36 Velocity stack securing stud	49 10138-38 Pressure intake union
12 6430-36 Bowl cover securing screw	50 - By-pass and idle mixture adj screw gasket
13 4957-23 Washer	51 9926-37 By-pass screw
14 8097-27 Velocity stack securing nut	52 8260-23 Flat washer
15 6781-23 Washer	53 9336-61 Idle mixture adj. screw spring
16 8257-55 Velocity stack	54 11068-37 Idle mixture adj. screw
17 11071-54 Bowl cover	55 9663-61 Pump diaphragm spring
18 - Bowl cover gasket	56 10182-44 Pump diaphragm
19 - Needle valve gasket	56 10182-44 \$ Pump diaphragm
20 10132-36 Union securing screw	57 10256-67 Pump cover
21 - Union securing screw gasket	58 5011-23 Washer
22 11067-38 Fuel inlet pipe union	59 6429-36 Pump cover securing screw
23 1419-29 Fuel filter	60 10315-27 Pump link nut
24 - Union gasket	61 10340-23 Washer
25 10154-22 Float pin	62 10332-61 Pump link spring
26 8498-21 Float clip	63 10331-35 Distance tube
27 10339-22 Float pin	64 8260-23 Washer
28 10738-32 Idle jet holder	65 9336-61 Pump link spring
29 - Idle jet holder and intake valve gasket	66 10316-24 Pump lever link
30 7542-33 Intake valve	67 10686-21 Clip
31 6415-03 Delivery valve	68 8857-34 Progression holes well plug
32 7513-34 Delivery valve seat plug	69 10153-26 Pump control lever
33 7636-42 Delivery valve weight	70 7667-36 Pump lever securing screw
34 11149-36 Velocity stack securing stud	71 6423-27 Aux. venturi screw securing nut
35 6423-27 Throttle spindle nut	72 7507-36 Aux. venturi securing screw
36 6581-23 Retaining piato	73 10143-39 Throttle valves spindle
37 7958-23 Washer	74 6416-36 Throttle valves securing screw
38 10130-23 Washer	75 52549 Gasket set