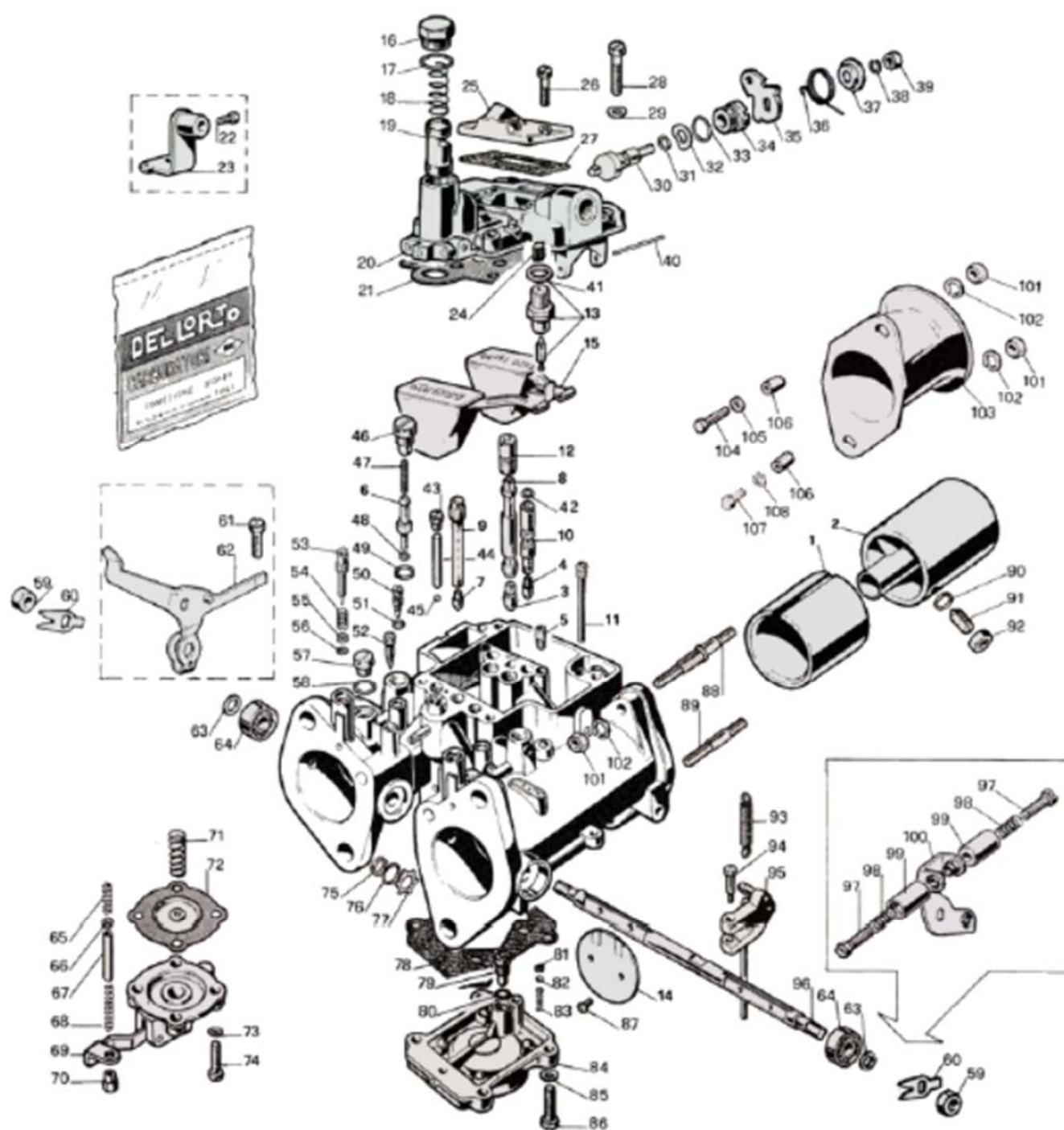


DELLORTO 45 DHLA M - exploded view



No Part No Price Pcs Description	No Part No Price Pcs Description
1 7956.37.65 Choke tube	54 9336-61 Pump rod spring
1 7956.37.65 Choke tube	55 8260-23 Mixture screw washer
2 8011.2.68 Auxiliary venturi	56 8678-30 Air bleed screw O ring
2 8011.2.68 Auxiliary venturi	57 10125-34 Tappo pozzetto fori progressione
3 7484.165.02 Main jet	58 9155-30 Guarnizione tappo pozzetto
4 7644.52.02 Idle Jet	59 6423-27 Spindle nut
5 7529.110.02 Getto potenza	60 6581-23 Spindle nut lock washer
6 10317.38.02 Pump jet	61 9754-37 Vite regolazione valvola gas
7 3315.80.02 Starter Jet	62 11140-26 Leva comando gas
8 7772.13.28 Main emulsion tube	63 7537-23 Spindle washer
9 7482.3.28 Starter emulsion tube	64 7490-45 Spindle bearing
10 7850.9.01 Calibratore portagetto minimo	65 10801-61 Pump rod spring
11 11137.00.28 Polverizzatore potenza	66 8260-23 Mixture screw washer
12 7485.230.01 Calibratore aria massimo	67 9662-35 Pump rod tube
13 11135.200.33 Float valve	68 9861-61 Pump rod spring
14 8010.1.64 Throttle plate	69 10744-67 Accelerator Pump Cover
15 7298.1.80 Galleggiante gr. 9	70 10740-27 Spindle nut
16 10126-34 Cold start cover	71 9663-61 Pump diaphragm spring
17 7834-30 Guarnizione tappo sede valvola	72 10742-44 Pump diaphragm
18 7413-61 Cold start spring	73 5011-23 Spring washer (pump cover)
19 9609-64 Starter Valve	74 6429-36 Screw (pump cover)
20 11142-54 Top cover	75 10262-30 Gasket
21 12033-30 Top cover gasket	76 10264-30 Gasket
22 6434-36 Fixing screw	77 10263-21 Fermaglio guarnizioni
23 7488-63 Cold start cable holder	78 9989-30 Pump body gasket
24 9498-29 Fuel filter	79 7542-33 Pump non-return valve
25 9925-06 Jet cover	80 7540-30 Washer
26 7530-36 Jet cover screw	81 9929-20 Bussola rit. valvola sicurezza
27 9933-30 Jet cover gasket	82 6415-03 Pump jet ball bearing
28 6430-36 Top cover screw	83 8543-61 Counterweight spring
29 4997-23 Diaphragm cover spring washer	84 9931-90 Pump body
30 10128-39 Colt start lever cam	85 4997-23 Diaphragm cover spring washer
31 7571-30 Guarnizione alberino	86 7526-36 Pump body screw
32 7837-23 Actuator cam spring washer	87 6416-36 Throttle plate screw
33 7834-30 Guarnizione tappo alberino	88 11294-36 Stud
34 10127-34 Tappo alberino comando avviamento	89 7630-36 Stud
35 7341-26 Cold start lever	90 1158-30 Gasket
36 7854-61 Cold start cable return spring	91 7507-36 Venturi grub screw
37 7838-20 Cold start spring cup washer	92 9934-27 Dado bloccaggio vite
38 4957-23 Spring washer	93 7957-61 Throttle return spring (std)
39 2906-27 Choke spring retaining nut	94 7667-36 Pump rod clamp screw
40 7503-22 Float pivot pin	95 8307-26 Pump rod assy
41 6425-30 Needle valve gasket	96 8352-39 Throttle spindle
42 7540-30 Washer	97 9754-37 Vite reg. accoppiamento (carb. R. 5349 A)
43 7513-34 Counterweight Cap screw	98 4670-61 Throttle stop screw spring
44 7525-42 Counterweight	99 11127-20 Bussola vite reg. acc. (carb. R. 5349 A)
45 6415-03 Pump jet ball bearing	100 11129-26 Leva accopp. (carb. R. 5349 A)
46 10747-34 Pump jet holder	101 7427-27 Spindle nut
47 10748-29 Fuel filter	102 1948-23 Diaphragm cover spring washer
48 6173-30 Pump jet gasket	103 8559-55 Cornetto
49 6426-30 Pump jet cap fibre washer	104 7062-36 Cold start inner cable clamp
50 9926-37 Vite by-pass	105 6850-23 Cable clamp washer
51 8678-30 Air bleed screw O ring	106 8255-27 Spindle nut
52 7959-34 Vacuum blanking screw	107 7081-36 Cold start inner cable clamp
53 11132-37 \$ 11.5 2 Vite regolazione miscela minimo	108 1581-23 Diaphragm cover spring washer